

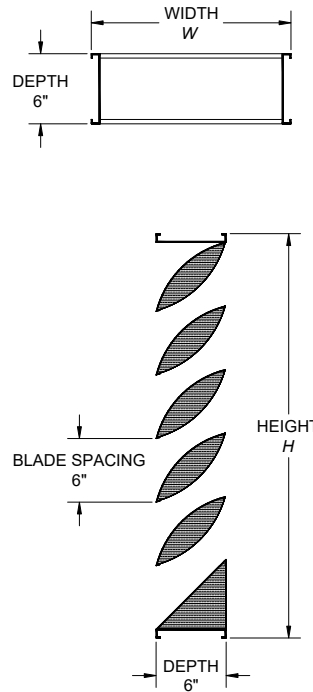


ACL600F / ACL605F

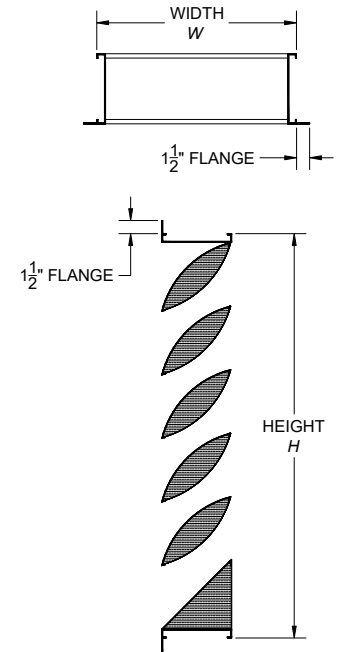
6" DEEP ACOUSTIC LOUVER – AIR FOIL BLADE



MODEL: ACL600F
FRAME: CHANNEL FRAME
DUCT-MOUNT (DM)



MODEL: ACL605F
FRAME: FLANGE FRAME
FLANGE-MOUNT (FM)



PERFORMANCE			
LOUVER UNIT SIZE	TOTAL AREA	FREE AREA	FREE AREA
48" x 48"	16 ft ²	6.01 ft ²	37.6%
(1219 x 1219 mm)	(1.49 m ²)	(0.56 m ²)	
BEGINNING POINT OF WATER PENETRATION AT 0.01 oz./ft ² FREE AREA:			703 FPM

STANDARD CONSTRUCTION

DEPTH:	6" (152 mm)
MATERIAL:	ALUMINUM
FRAME:	0.085" (2.16 mm) – EXTRUDED ALUMINUM – 6063-T5 ALLOY
BLADE EXTERIOR:	0.063" (1.60 mm) – FORMED ALUMINUM
BLADE INTERIOR:	0.032" (0.81 mm) – PERFORATED ALUMINUM – Ø3/32" HOLES
INSULATION:	MINERAL WOOL INSULATION
BLADE ANGLE:	45°
BLADE CENTRES:	6" (152 mm)
BIRDSCREEN:	19 GA. GALVANIZED BIRDSCREEN - 1/2" x 1/2" OPENINGS
FINISH:	MILL

SIZE LIMITATIONS: SINGLE SECTION LOUVER

	MINIMUM	MAXIMUM
WIDTH	12" (305 mm)	60" (1524 mm)
HEIGHT	16" (406 mm)	96" (2438 mm)
AREA	1.3 ft ² (0.12 m ²)	40 ft ² (3.72 m ²)

*LOUVER WILL BE MANUFACTURED 1/4" (6.4 mm) SMALLER (SINGLE SECTION) AND 1/2" (12.7 mm) SMALLER (MULTIPLE SECTION) THAN GIVEN DIMENSIONS UNLESS OTHERWISE SPECIFIED

AVAILABLE ACCESSORIES

FINISH: <ul style="list-style-type: none"> BAKED ENAMEL FINISH DURANAR FINISH ANODIZED FINISH <ul style="list-style-type: none"> CLEAR ANODIZED LIGHT BRONZE MEDIUM BRONZE DARK BRONZE BLACK ANODIZED 	SCREENS: <ul style="list-style-type: none"> BIRDSCREEN <ul style="list-style-type: none"> 1/2" x 1/2" INTER CRIMPED ALUMINUM ALUMINUM BIRDSCREEN WITH FRAME INSECT SCREEN <ul style="list-style-type: none"> 18 x 14 MESH
OTHER: <ul style="list-style-type: none"> EXTENDED SILLS SECURITY BARS FILTER RACKS STAINLESS STEEL FASTENERS HINGED ACCESS DOORS 	BLANK-OFF PANELS (ALUMINUM): VARIOUS GAUGES <ul style="list-style-type: none"> NON-INSULATED BLANK-OFF PANELS INSULATED BLANK-OFF PANELS <ul style="list-style-type: none"> 1" (25.4 mm) INSULATION 2" (50.8 mm) INSULATION

SOUND PERFORMANCE

OCTAVE BAND / FREQUENCY	TRANSMISSION LOSS (dB)	FREE FIELD NOISE REDUCTION (dB)
1 / 63	6	12
2 / 125	6	12
3 / 250	7	13
4 / 500	9	15
5 / 1000	15	21
6 / 2000	16	22
7 / 4000	14	20
8 / 8000	14	20

THIS TEST WAS CONDUCTED IN ACCORDANCE WITH ASTM STANDARD E90-04. *STANDARD TEST METHOD FOR LABORATORY MEASUREMENT OF AIRBORNE SOUND TRANSMISSION LOSS OF BUILDING PARTITIONS AND ELEMENTS*.

DWG. ACL600F / ACL605F DECEMBER 2024



ACL600F / ACL605F

6" DEEP ACOUSTIC LOUVER – AIR FOIL BLADE

FREE AREA (Sq. Ft.)

		WIDTH (INCHES)												
		12	16	20	24	28	32	36	40	44	48	52	56	60
HEIGHT (INCHES)	16	0.36	0.49	0.63	0.76	0.90	1.03	1.17	1.30	1.44	1.57	1.71	1.84	1.98
	20	0.47	0.65	0.83	1.01	1.19	1.37	1.55	1.73	1.91	2.09	2.27	2.45	2.63
	24	0.56	0.77	0.98	1.19	1.40	1.61	1.83	2.04	2.25	2.46	2.67	2.88	3.10
	28	0.76	1.04	1.33	1.62	1.91	2.20	2.48	2.77	3.06	3.35	3.64	3.92	4.21
	32	0.87	1.20	1.54	1.87	2.20	2.53	2.87	3.20	3.53	3.86	4.19	4.53	4.86
	36	0.96	1.32	1.68	2.05	2.41	2.78	3.14	3.51	3.87	4.23	4.60	4.96	5.33
	40	1.16	1.60	2.04	2.48	2.92	3.36	3.80	4.24	4.68	5.12	5.56	6.00	6.44
	44	1.27	1.76	2.24	2.73	3.21	3.70	4.18	4.67	5.15	5.64	6.12	6.61	7.09
	48	1.36	1.87	2.39	2.91	3.42	3.94	4.46	4.98	5.49	6.01	6.53	7.04	7.56
	52	1.56	2.15	2.74	3.34	3.93	4.52	5.12	5.71	6.30	6.90	7.49	8.08	8.68
	56	1.67	2.31	2.95	3.59	4.22	4.86	5.50	6.14	6.77	7.41	8.05	8.69	9.32
	60	1.76	2.43	3.10	3.77	4.44	5.10	5.77	6.44	7.11	7.78	8.45	9.12	9.79
	64	1.96	2.70	3.45	4.20	4.94	5.69	6.43	7.18	7.92	8.67	9.42	10.16	10.91
	68	2.07	2.86	3.65	4.44	5.23	6.02	6.81	7.60	8.39	9.18	9.97	10.76	11.55
	72	2.16	2.98	3.80	4.62	5.45	6.27	7.09	7.91	8.73	9.56	10.38	11.20	12.02
	76	2.36	3.26	4.16	5.05	5.95	6.85	7.75	8.65	9.55	10.44	11.34	12.24	13.14
80	2.47	3.42	4.36	5.30	6.25	7.19	8.13	9.07	10.02	10.96	11.90	12.84	13.79	
84	2.56	3.53	4.51	5.48	6.46	7.43	8.41	9.38	10.36	11.33	12.31	13.28	14.26	
88	2.76	3.81	4.86	5.91	6.96	8.01	9.07	10.12	11.17	12.22	13.27	14.32	15.37	
92	2.88	3.97	5.07	6.16	7.26	8.35	9.45	10.54	11.64	12.73	13.83	14.92	16.02	
96	2.96	4.09	5.21	6.34	7.47	8.60	9.72	10.85	11.98	13.11	14.23	15.36	16.49	

FREE AREA (%)

		WIDTH (INCHES)												
		12	16	20	24	28	32	36	40	44	48	52	56	60
HEIGHT (INCHES)	16	26.6%	27.6%	28.2%	28.6%	28.8%	29.0%	29.2%	29.3%	29.4%	29.5%	29.6%	29.6%	29.7%
	20	28.3%	29.3%	29.9%	30.3%	30.6%	30.8%	31.0%	31.1%	31.2%	31.3%	31.4%	31.5%	31.5%
	24	27.8%	28.8%	29.4%	29.8%	30.0%	30.3%	30.4%	30.6%	30.7%	30.8%	30.8%	30.9%	31.0%
	28	32.4%	33.6%	34.2%	34.7%	35.0%	35.3%	35.5%	35.6%	35.8%	35.9%	36.0%	36.0%	36.1%
	32	32.7%	33.9%	34.6%	35.0%	35.4%	35.6%	35.8%	36.0%	36.1%	36.2%	36.3%	36.4%	36.4%
	36	31.9%	33.0%	33.7%	34.2%	34.5%	34.7%	34.9%	35.1%	35.2%	35.3%	35.4%	35.5%	35.5%
	40	34.7%	35.9%	36.7%	37.2%	37.5%	37.8%	38.0%	38.2%	38.3%	38.4%	38.5%	38.6%	38.7%
	44	34.7%	35.9%	36.7%	37.2%	37.5%	37.8%	38.0%	38.2%	38.3%	38.4%	38.5%	38.6%	38.7%
	48	33.9%	35.1%	35.9%	36.3%	36.7%	36.9%	37.2%	37.3%	37.4%	37.6%	37.6%	37.7%	37.8%
	52	35.9%	37.2%	38.0%	38.5%	38.9%	39.1%	39.4%	39.5%	39.7%	39.8%	39.9%	40.0%	40.0%
	56	35.9%	37.1%	37.9%	38.4%	38.8%	39.1%	39.3%	39.4%	39.6%	39.7%	39.8%	39.9%	40.0%
	60	35.1%	36.4%	37.2%	37.7%	38.0%	38.3%	38.5%	38.7%	38.8%	38.9%	39.0%	39.1%	39.2%
	64	36.7%	38.0%	38.8%	39.3%	39.7%	40.0%	40.2%	40.4%	40.5%	40.6%	40.7%	40.8%	40.9%
	68	36.6%	37.9%	38.7%	39.2%	39.6%	39.9%	40.1%	40.3%	40.4%	40.5%	40.6%	40.7%	40.8%
	72	36.0%	37.3%	38.0%	38.5%	38.9%	39.2%	39.4%	39.6%	39.7%	39.8%	39.9%	40.0%	40.1%
	76	37.2%	38.6%	39.4%	39.9%	40.3%	40.6%	40.8%	41.0%	41.1%	41.2%	41.3%	41.4%	41.5%
80	37.1%	38.4%	39.2%	39.8%	40.1%	40.4%	40.7%	40.8%	41.0%	41.1%	41.2%	41.3%	41.4%	
84	36.6%	37.9%	38.6%	39.2%	39.5%	39.8%	40.0%	40.2%	40.3%	40.5%	40.6%	40.7%	40.7%	
88	37.6%	39.0%	39.8%	40.3%	40.7%	41.0%	41.2%	41.4%	41.5%	41.7%	41.8%	41.8%	41.9%	
92	37.5%	38.8%	39.6%	40.2%	40.6%	40.8%	41.1%	41.3%	41.4%	41.5%	41.6%	41.7%	41.8%	
96	37.0%	38.3%	39.1%	39.6%	40.0%	40.3%	40.5%	40.7%	40.8%	41.0%	41.1%	41.1%	41.2%	

RECOMMENDED SPECIFICATION

Furnish and install stationary louver models ACL600F / ACL605F as manufactured by Ventex Inc, Alliston, Ontario. Louvers shall be 6" (152 mm) deep. Blades shall be formed 0.063" (1.60 mm) aluminum and frame shall be 0.085" (2.16 mm) extruded 6063-T5 aluminum alloy. Louvers shall have 19 gauge galvanized 1/2" x 1/2" birdscreen. All materials shall be factory finished after assembly with Polyester Powder Coat in a color selected from the Ventex Color Chart.